



DW-40L568J

-40°C Biomedical Freezer

Scope of Application

Blood banks, hospitals, disease control centers, research institutes, electronics, chemicals and other industries. For the cryopreservation of plasma, biologics and other products and for cold tests for components and materials.

Innovative Design

- Energy Saving Hydrocarbon Technology
- Large Capacity with Excellent Uniformity
- Low Noise
- Environmentally-friendly



Product Advantages



Energy Saving Hydrocarbon Technology

The hydrocarbon refrigerants, high-efficiency compressors and optimized refrigeration system delivery energy-efficiencies with a power consumption as low as 4kWh/24h.



Environmentally Friendly

Green and Clean. Hydrocarbon refrigerants are natural refrigerants with a low GWP significantly reducing the impact on the environment. LBA foamed polyurethane is an environmentally friendly insulation material which meets European ROHS directives.



Large Capacity with Excellent Uniformity

Built-in evaporator ensures large internal storage space with a temperature uniformity $\pm 4^{\circ}\text{C}$ and adjustable shelves.



Low Noise

Optimized hydrocarbon system and structural noise reduction design. Noise output is as low as 44 dB.

Product Features

Durable and Quality Manufacture: The electric zinc plate of the interior is powder sprayed, with rounded corners. The exterior is sprayed steel plate, which is anticorrosive, durable and easy to clean.



Microprocessor

- Microprocessor electronic temperature controller, LCD digital temperature display, display precision 0.1°C, the temperature in the freezer is adjustable from -20°C to -40°C.
- Multiple alarm functions such as high temperature alarm, low temperature alarm, sensor error, power failure alarm, door ajar and high ambient temperature alarm. Multiple alarm methods: sound buzzer alarm, digital flashing alarm, symbol flashing alarm, it can be connected to remote alarm.
- Alarm battery back-up ensures the freezer continues to alarm for more than 24 hours in the event of a mains power failure.



Thermally-efficient, Fast Cool/Recovery Rates

70mm super thick insulation layer design, double door seals and 2 inner doors provide improved thermal insulation and reduced energy consumption. The pull down rate from ambient is 260 minutes (from 25°C to -40°C at the center point of cabinet).



Porthole

There are two access ports on the back of the freezer, which is convenient for users to test independently.



Security Lock

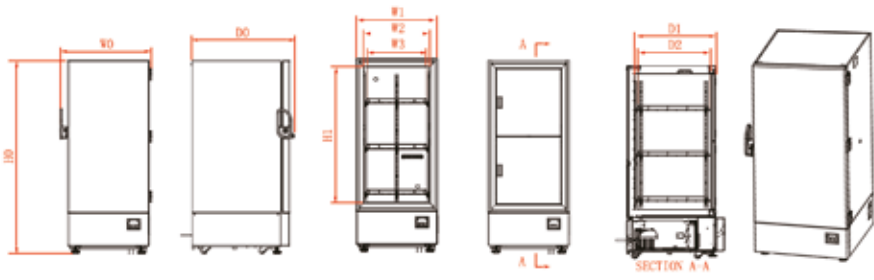
It is equipped with mechanical door lock which can be padlocked for additional security.



Multiple Interface Options

Standard configuration: Remote alarm interface
Optional configuration: Temperature recorder, RS485 or USB.

Product Dimensions



Key
W0=TOTAL WIDTH
W1=FREEZER WIDTH
W2=INNER CABINET WIDTH
W3=INNER CABINET SHELF WIDTH
D0=TOTAL DEPTH
D1=INNER CABINET DEPTH
D2=INNER CABINET SHELF DEPTH
H0=TOTAL HEIGHT
H1=INNER CABINET HEIGHT

CODE MODEL	W0	W1	W2	W3	D0	D1	D2	H0	H1
DW-40L568J	848mm	750mm	610mm	553mm	951mm	755mm	670mm	1780mm	1260mm

Specifications

	Model	DW-40L568J	
Technical Data	Cabinet Type	Upright	
	Climate Class	SN N	
	Cooling Type	Direct Cooling	
	Defrost Mode	Manual	
	Refrigerant	HC	
Performance	Sound Level (dB(A))	45	
	Cooling performance (°C)	-40	
Control	Temperature Range (°C)	-20~-40	
	Controller	Microprocessor	
Electrical Data	Display	LCD	
	Power Supply (V/Hz)	220-240/50	
	Electrical Current (A)	2.8	
Dimensions	Capacity (L/Cu.Ft)	568/20.1	
	Net/Gross Weight (approx)	kg	190/215
		lbs	418.9/474
	Interior Dimension (W*D*H)	mm	610*755*1260
		in	24/29.7/49.6
	Exterior Dimension (W*D*H)	mm	848*951*1780
		in	33.4/37.4/70.1
Packing Dimension (W*D*H)	mm	910*1040*1930	
	in	35.8*40.9*76.0	
	Container Load (20'/40'/40'H)	10/22/22	
Alarms	High/Low Temperature	Y	
	Remote Alarm	Y	
	Power Failure	Y	
	Sensor Error	Y	
	Low Battery	N	
	High Ambient Temperature	Y	
	Dirty Condenser	N	
	Door Ajar	Y	
Accessories	Caster	Y	
	Leveling Feet	Y	
	Porthole	Y	
	Drawers/Inner Doors	N/2	
	Adjustable Shelves	Y(3)	
	USB Interface	Optional	
	RS485	Optional	
Others	NFC	N	
	Temperature Recorder	Optional	
	Certification	CE	

*Product appearance and specifications are subject to change without notice.